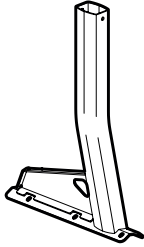
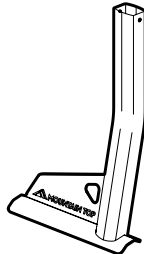
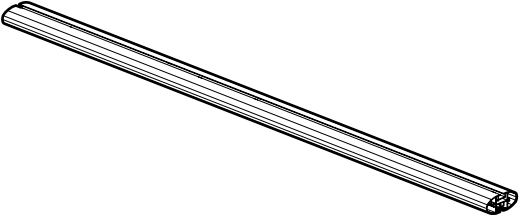
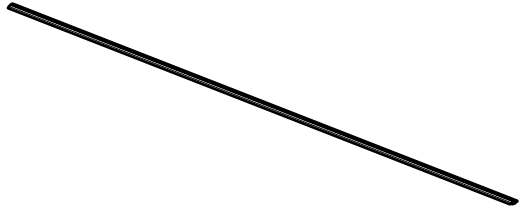


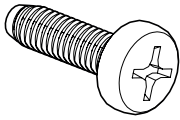
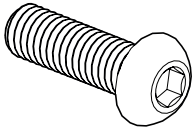
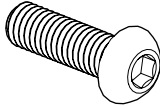
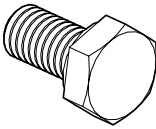
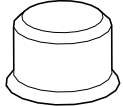
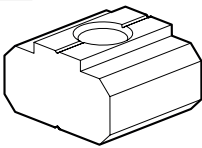
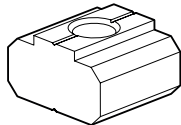
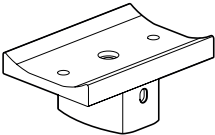
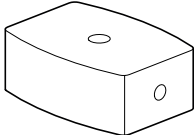
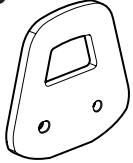
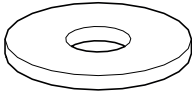
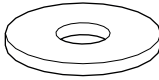

LADDER RACK

Installation manual

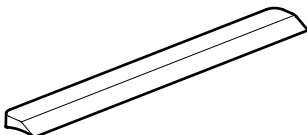
Parts

<p>A</p>  <p>x1</p>	<p>B</p>  <p>x1</p>
<p>C</p>  <p>x1</p>	<p>D</p>  <p>x2</p>

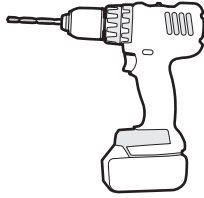
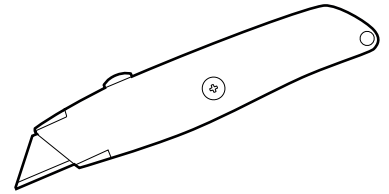
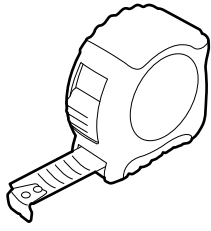
Kit

<p>E</p>  <p>x 4</p>	<p>F</p>  <p>M8x6</p>	<p>G</p>  <p>M6 x4</p>	<p>H</p>  <p>x 6</p>	<p>I</p>  <p>x 6</p>
<p>J</p>  <p>M8 x 4</p>	<p>K</p>  <p>M6x6</p>	<p>L</p>  <p>x 2</p>	<p>M</p>  <p>x 2</p>	<p>N</p>  <p>x 2</p>
<p>O</p>  <p>M8 x 4</p>	<p>P</p>  <p>M6 x 6</p>	<p>Q</p>  <p>x1</p>		

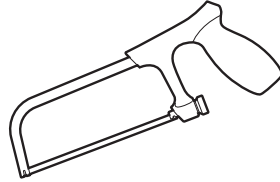
Kit - TO BE SUPPLIED SEPARATELY

<p>Q</p>  <p>x 2</p>
--

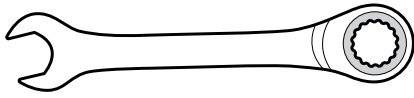
Tools and materials needed



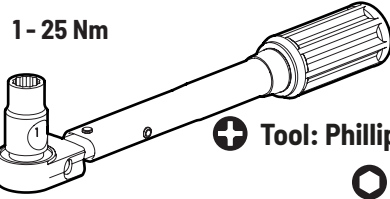
Ø7mm



DEGREASER



10mm



1 - 25 Nm

⊕ Tool: Phillips head

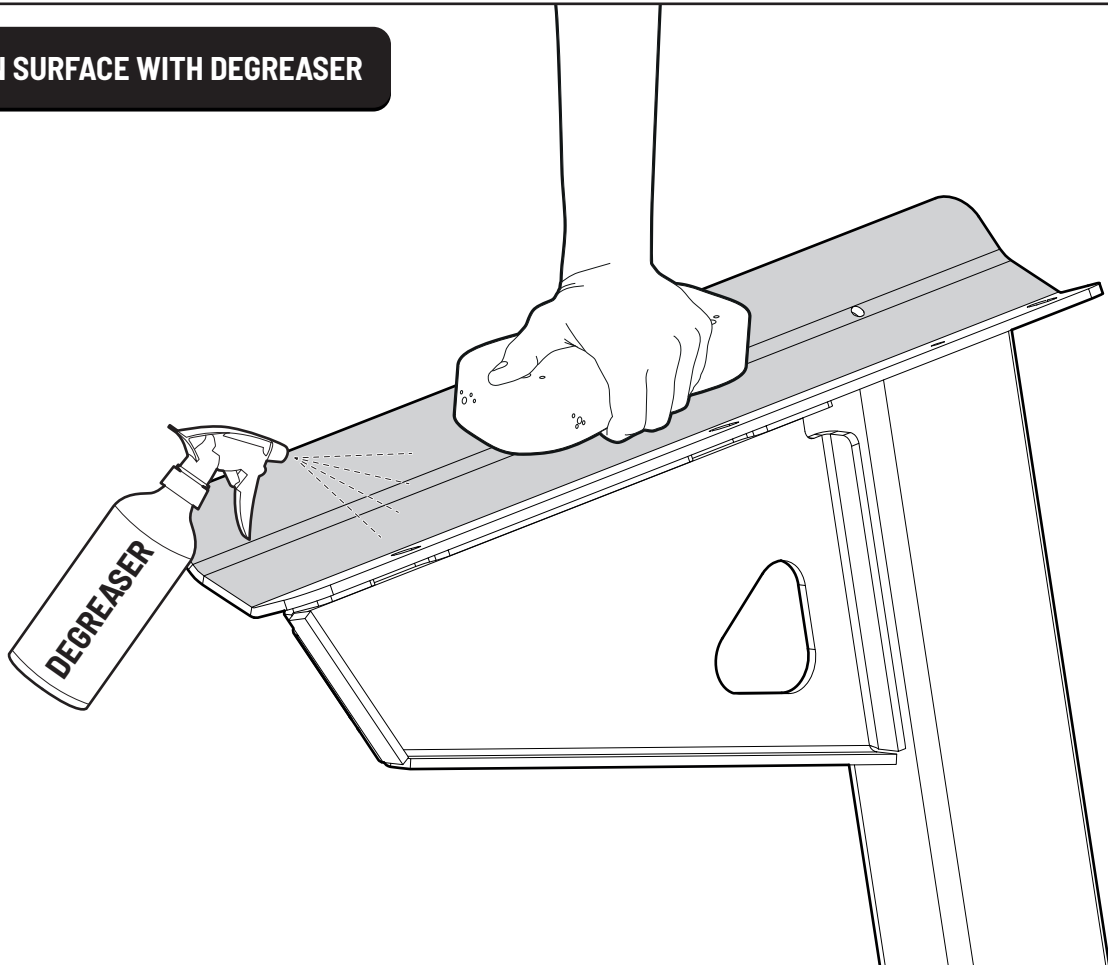
○ 5mm

○ 4mm

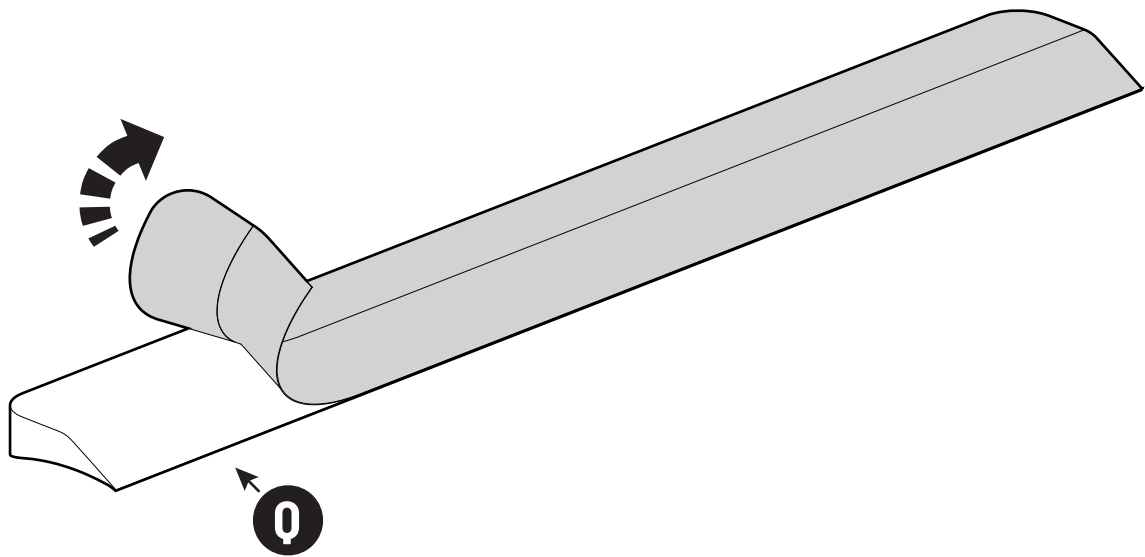


CLEAN SURFACE WITH DEGREASER

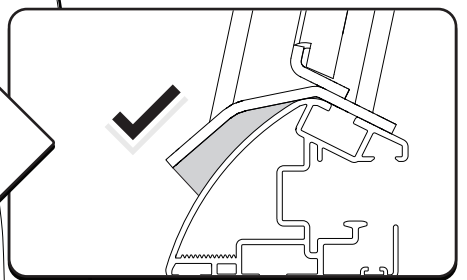
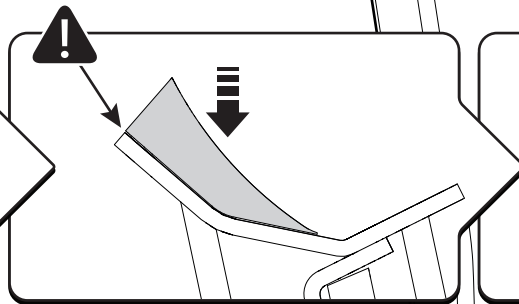
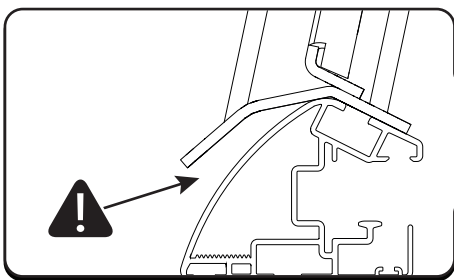
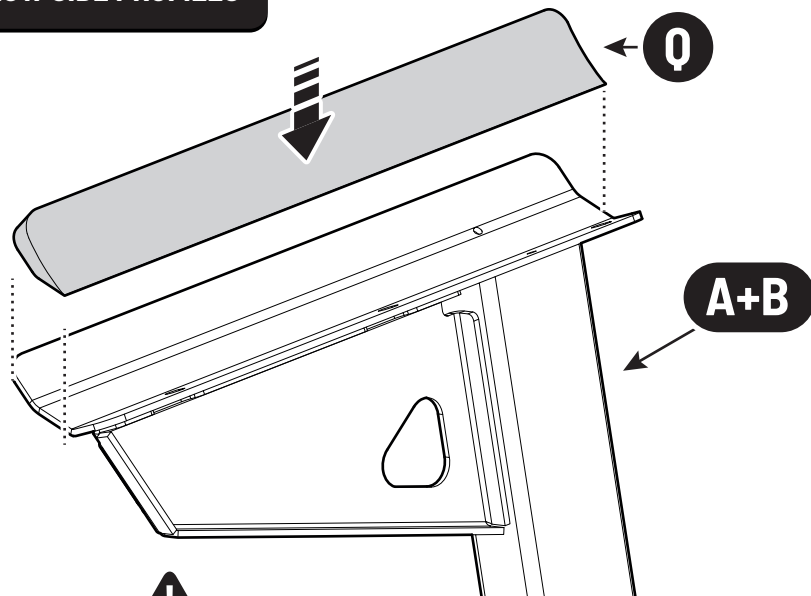
1

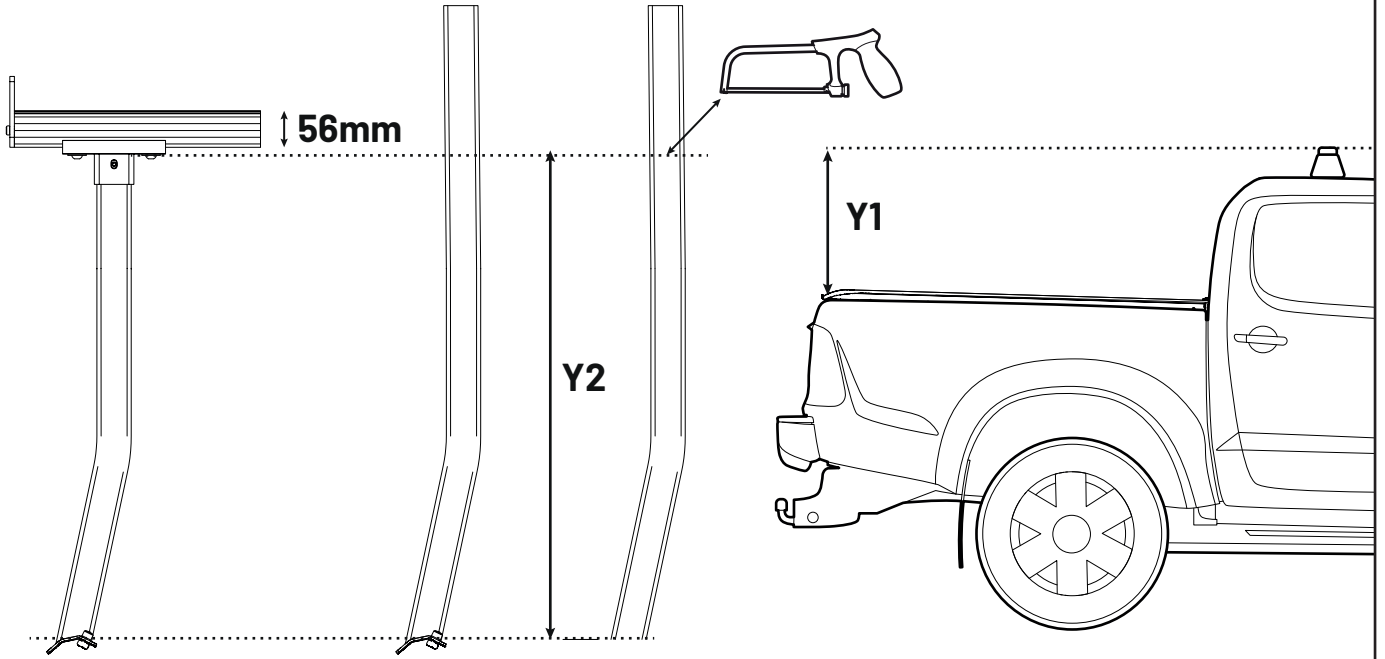


! ONLY FOR MTR NARROW SIDE PROFILES

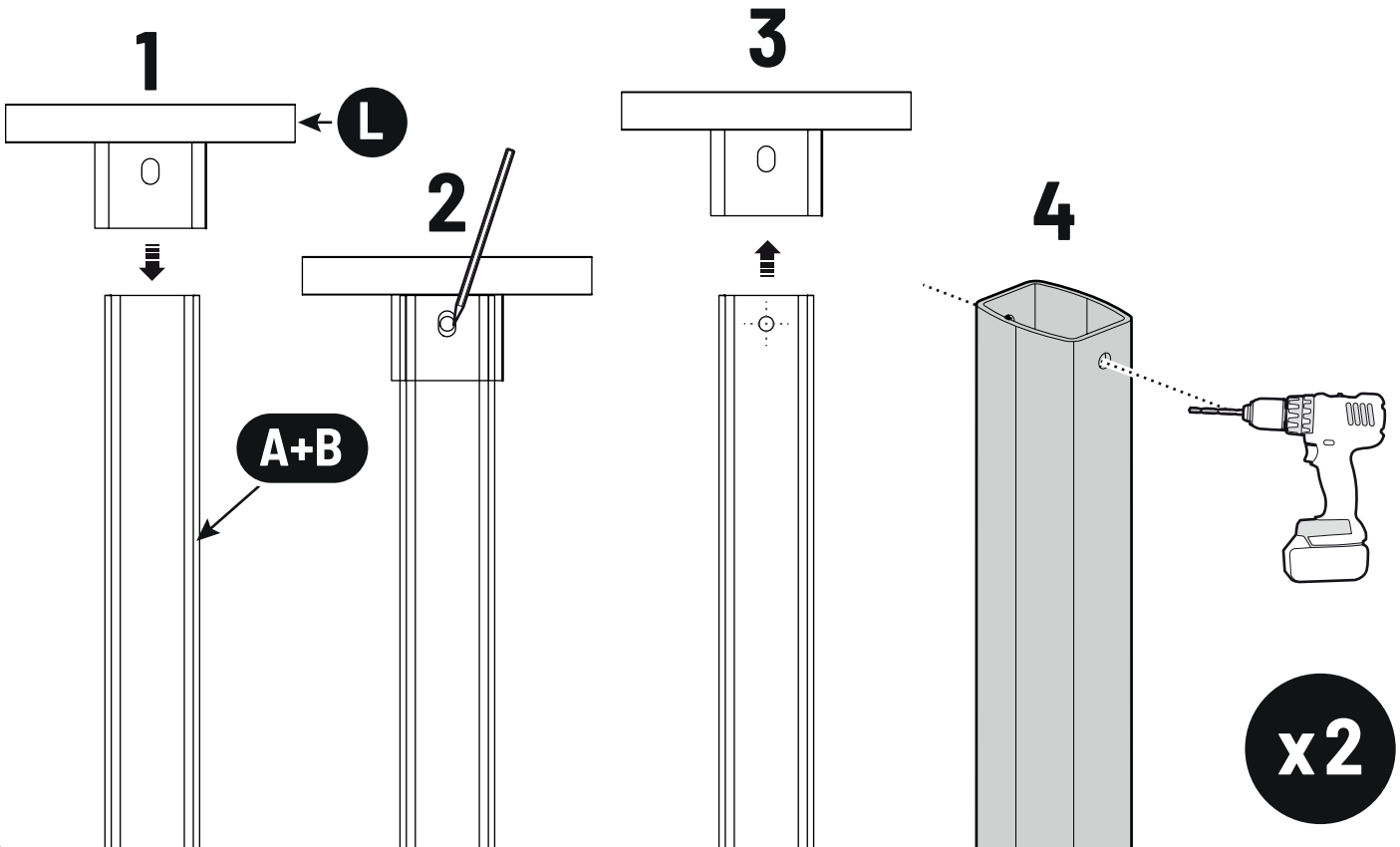


! ONLY FOR MTR NARROW SIDE PROFILES





Y1-56=Y2



6



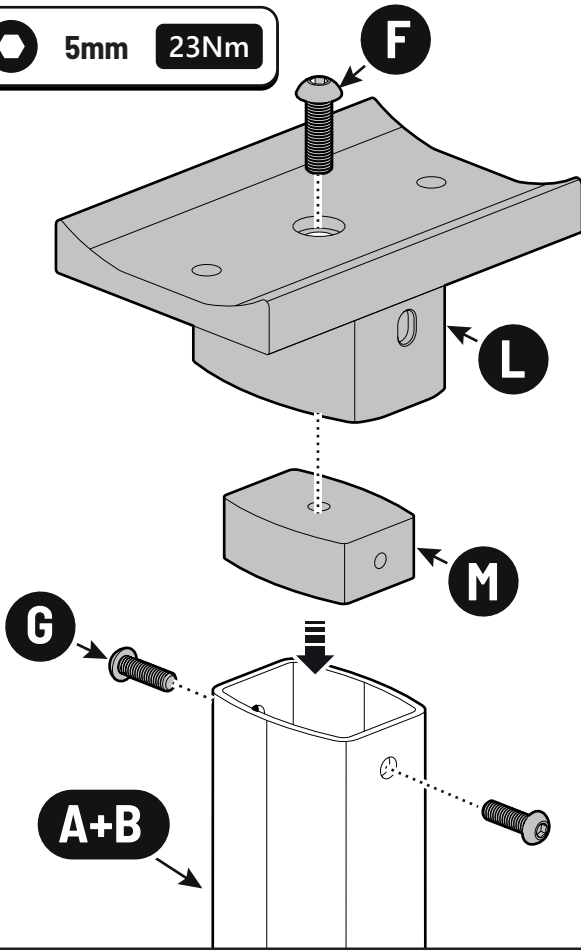
4mm

6Nm



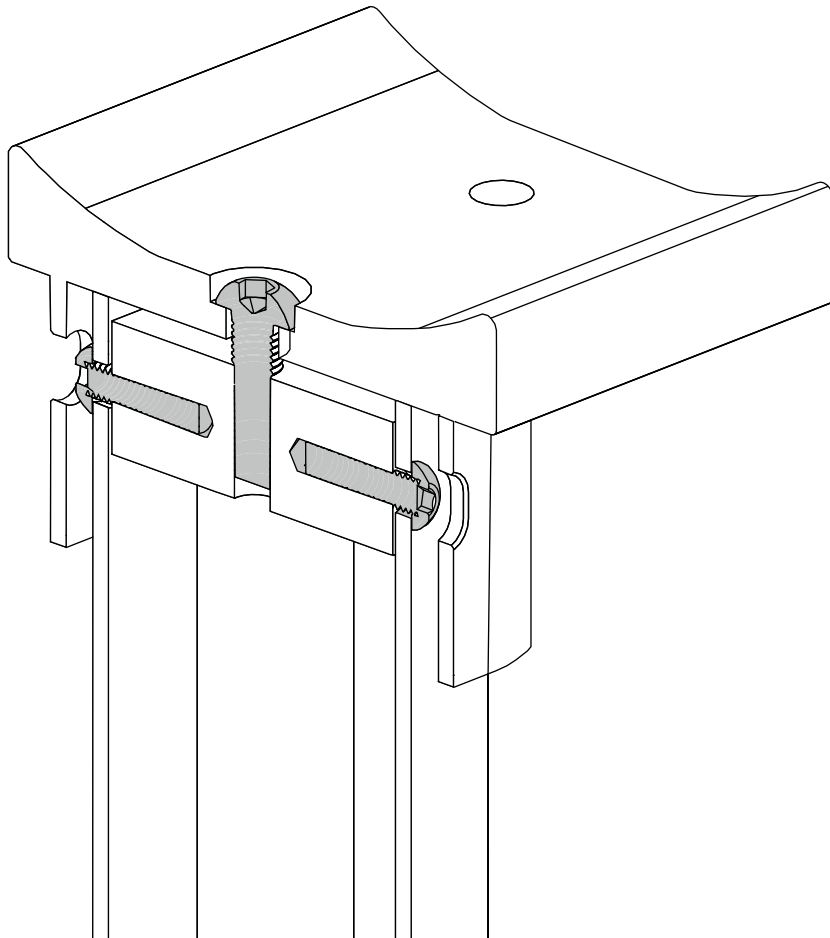
5mm

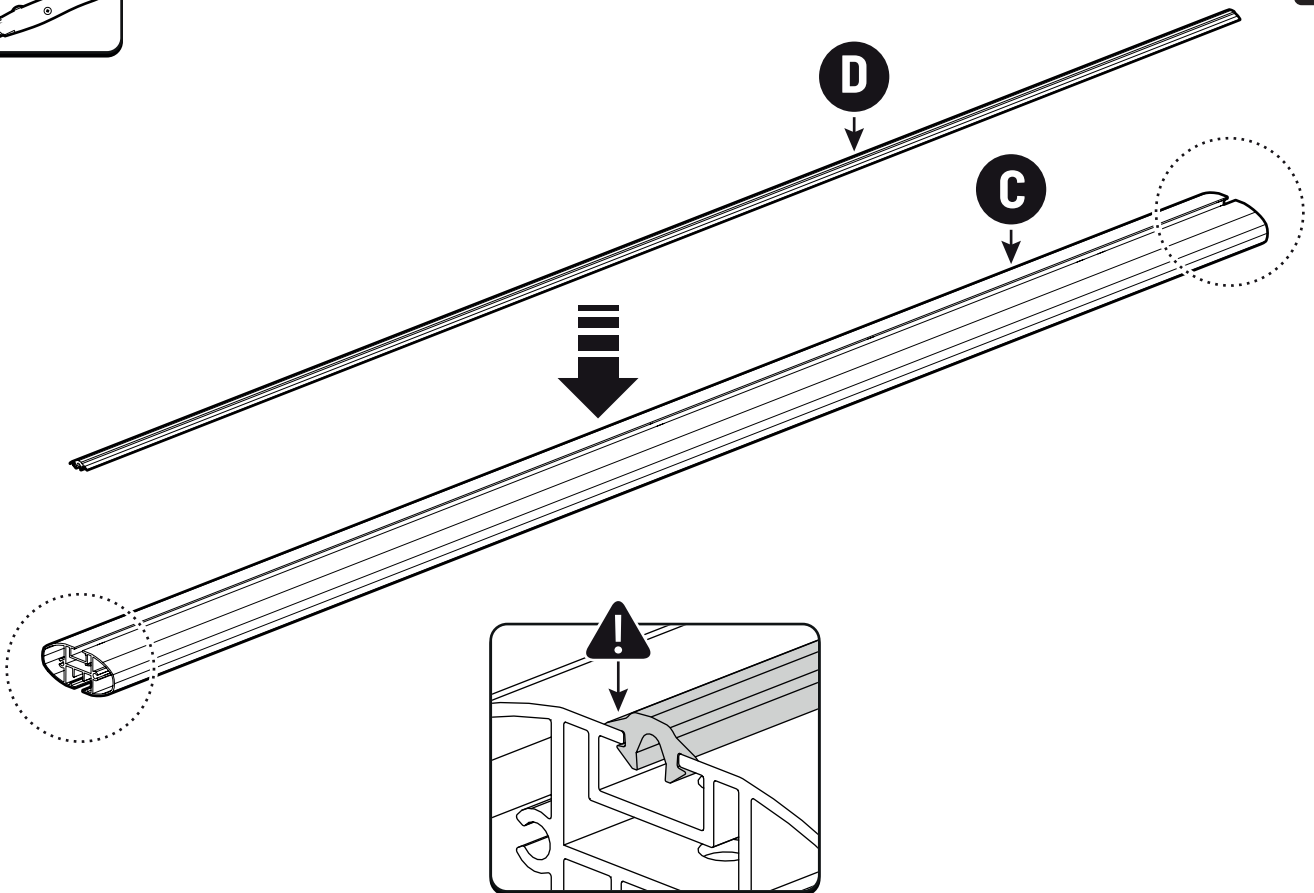
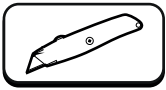
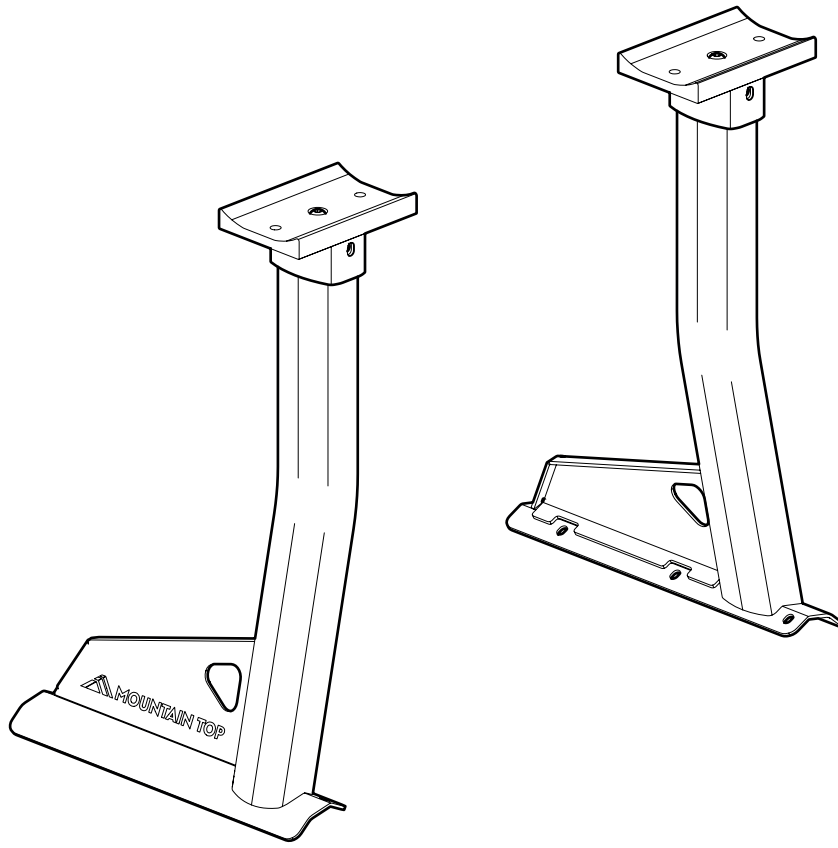
23Nm

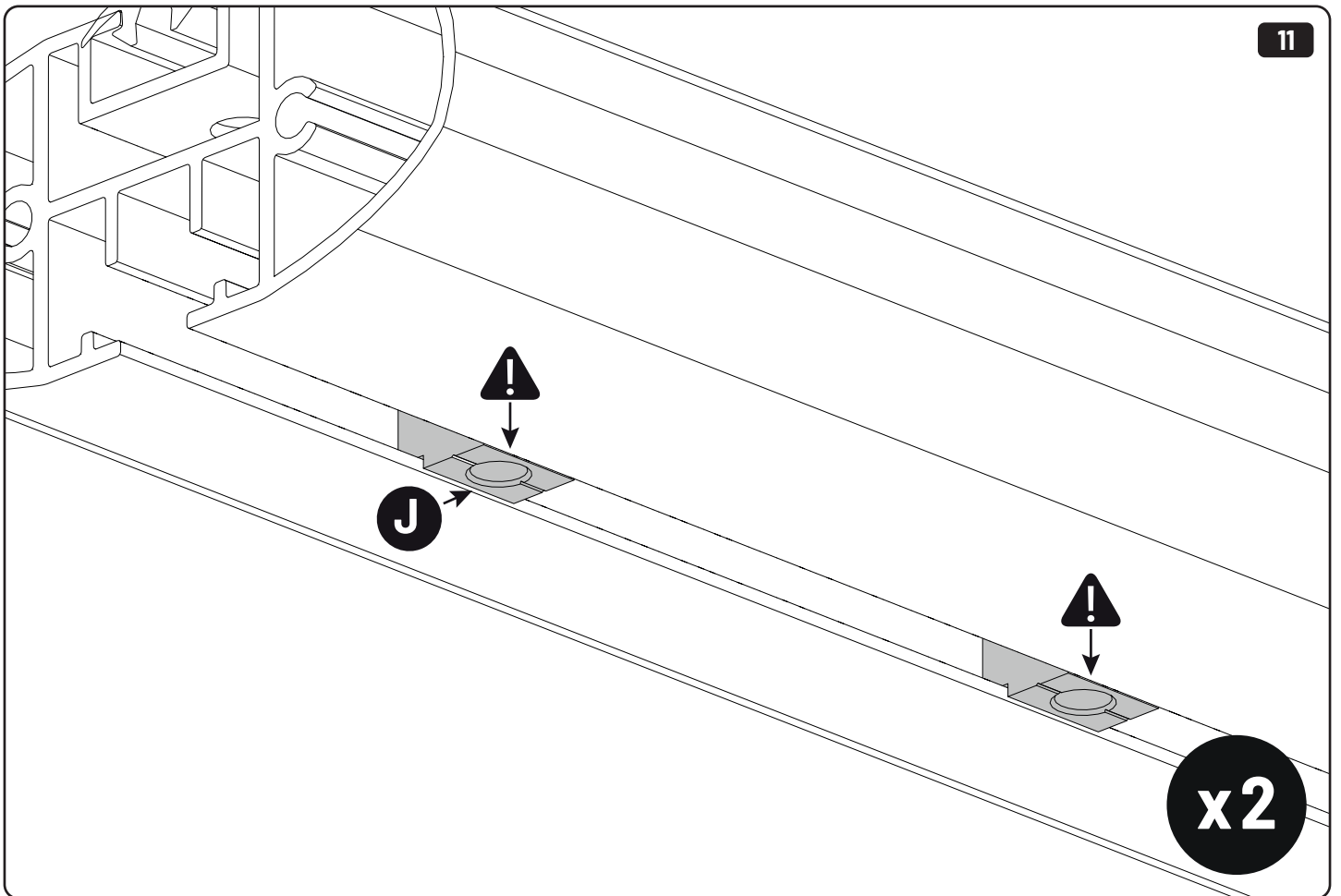
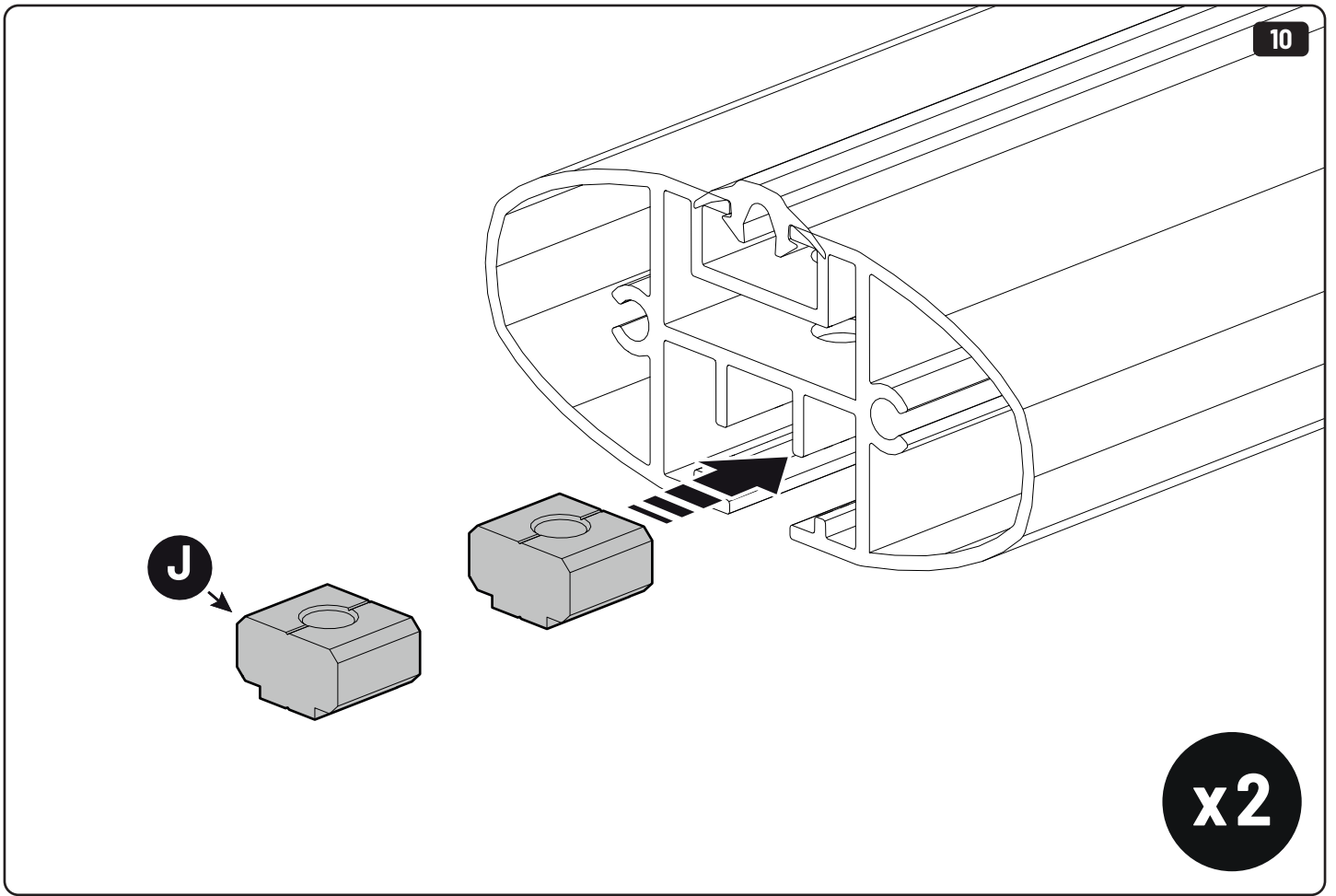


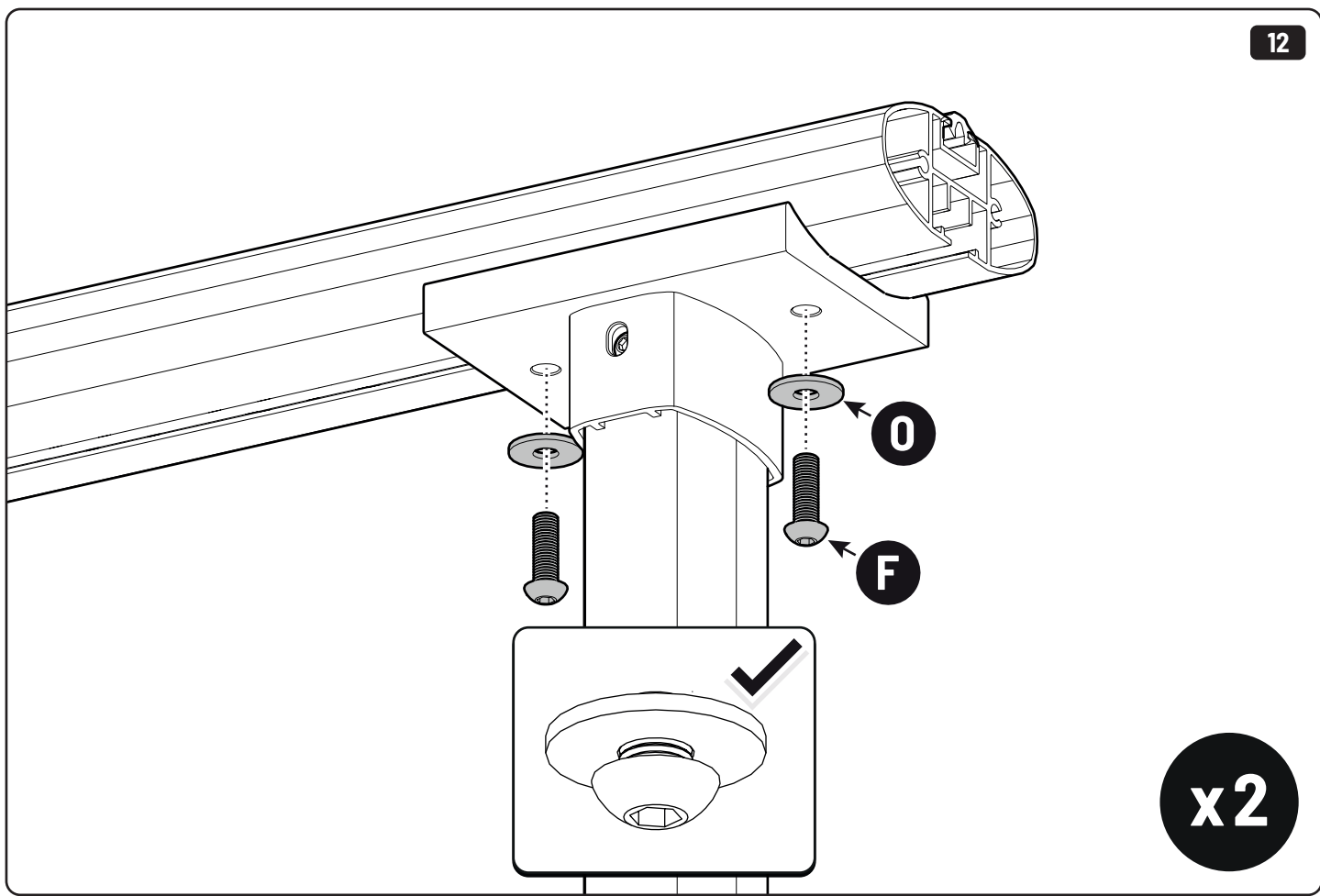
x2

7

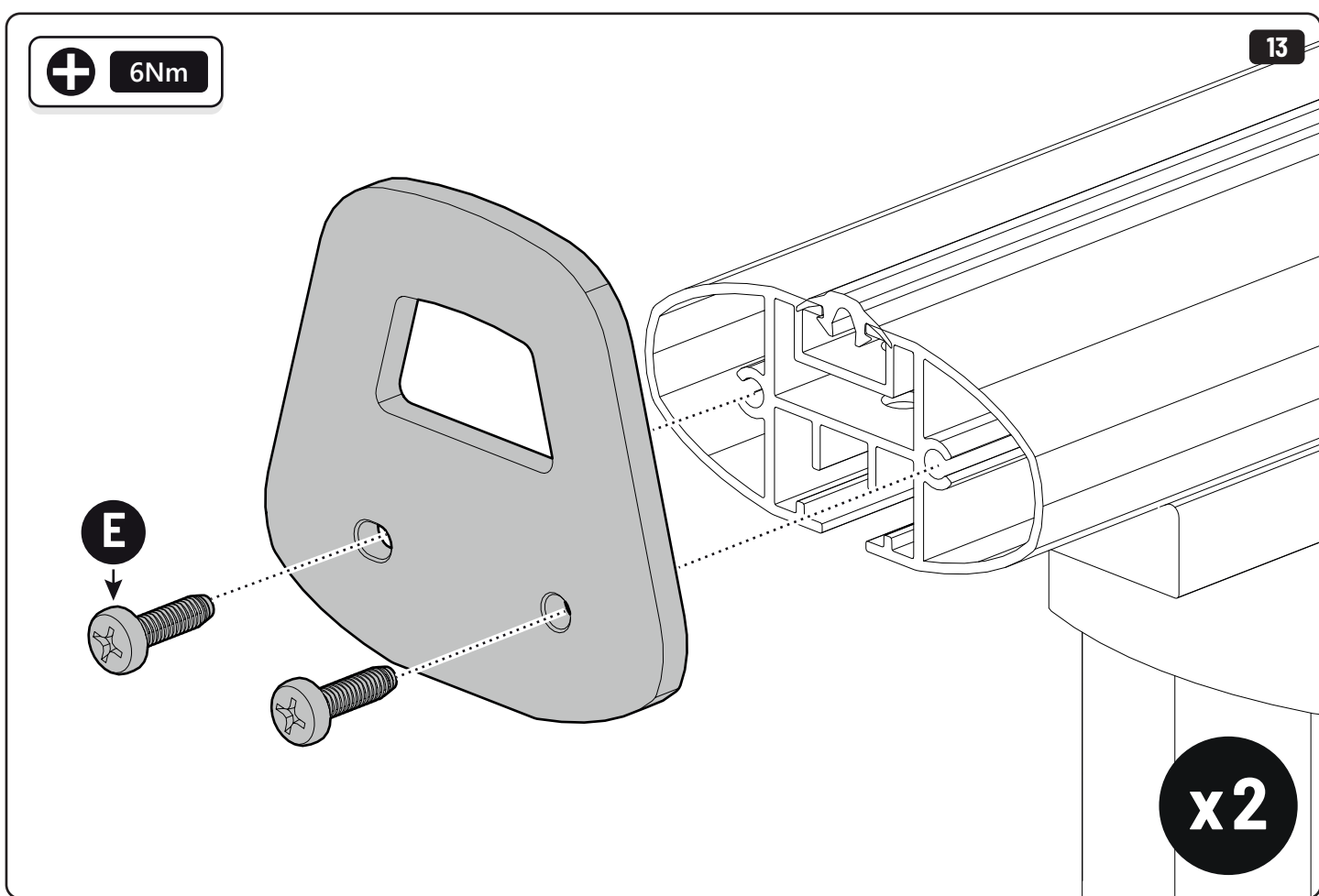


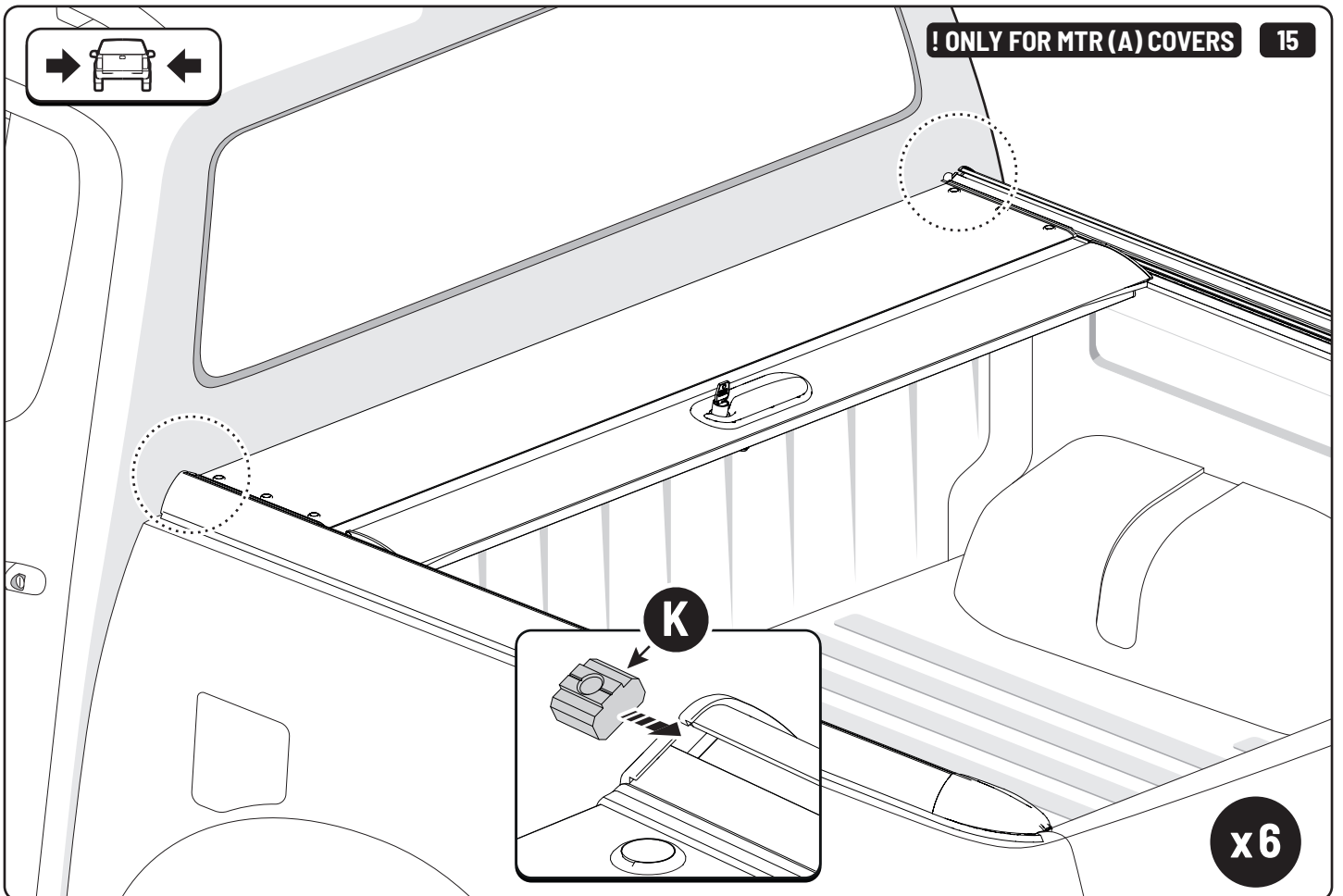
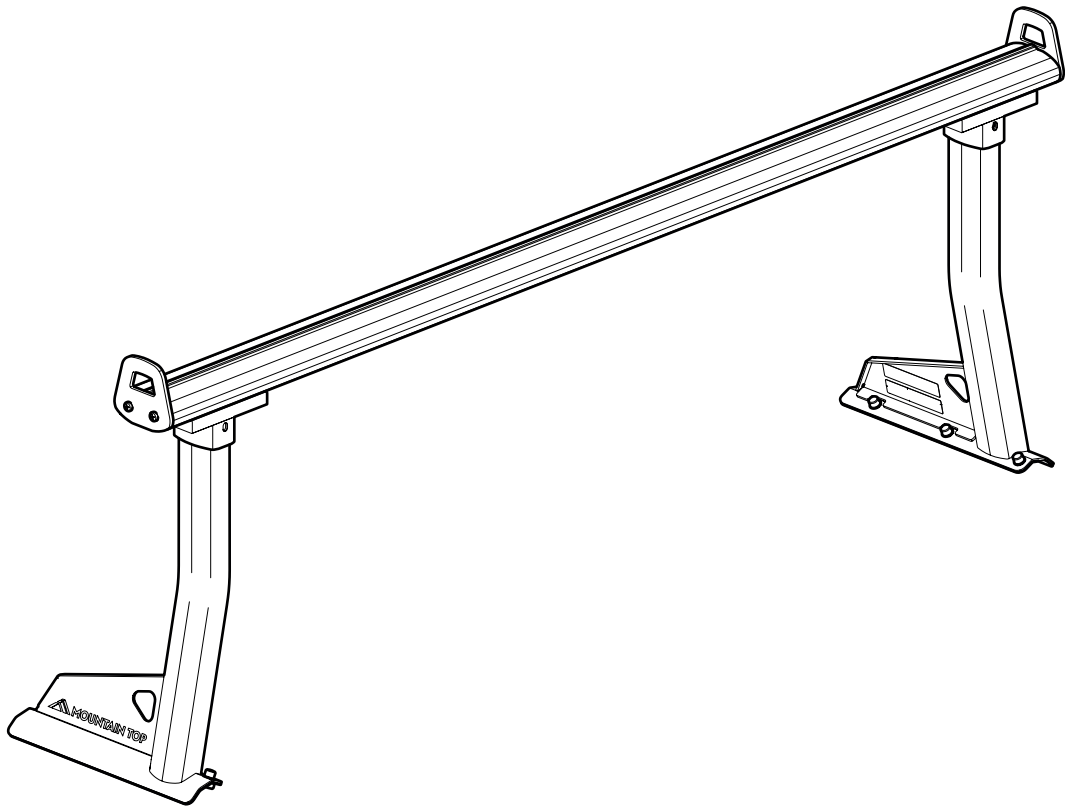


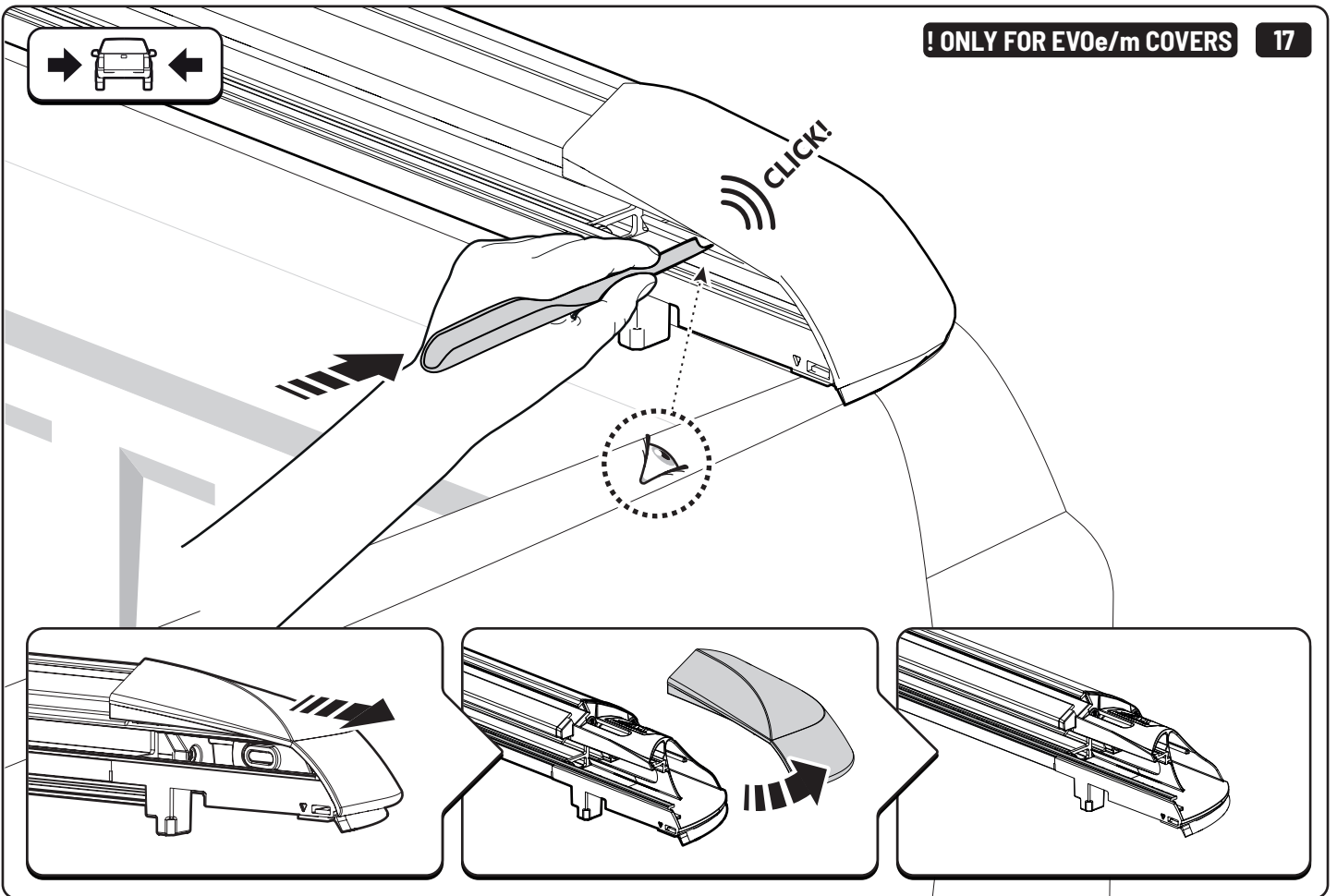
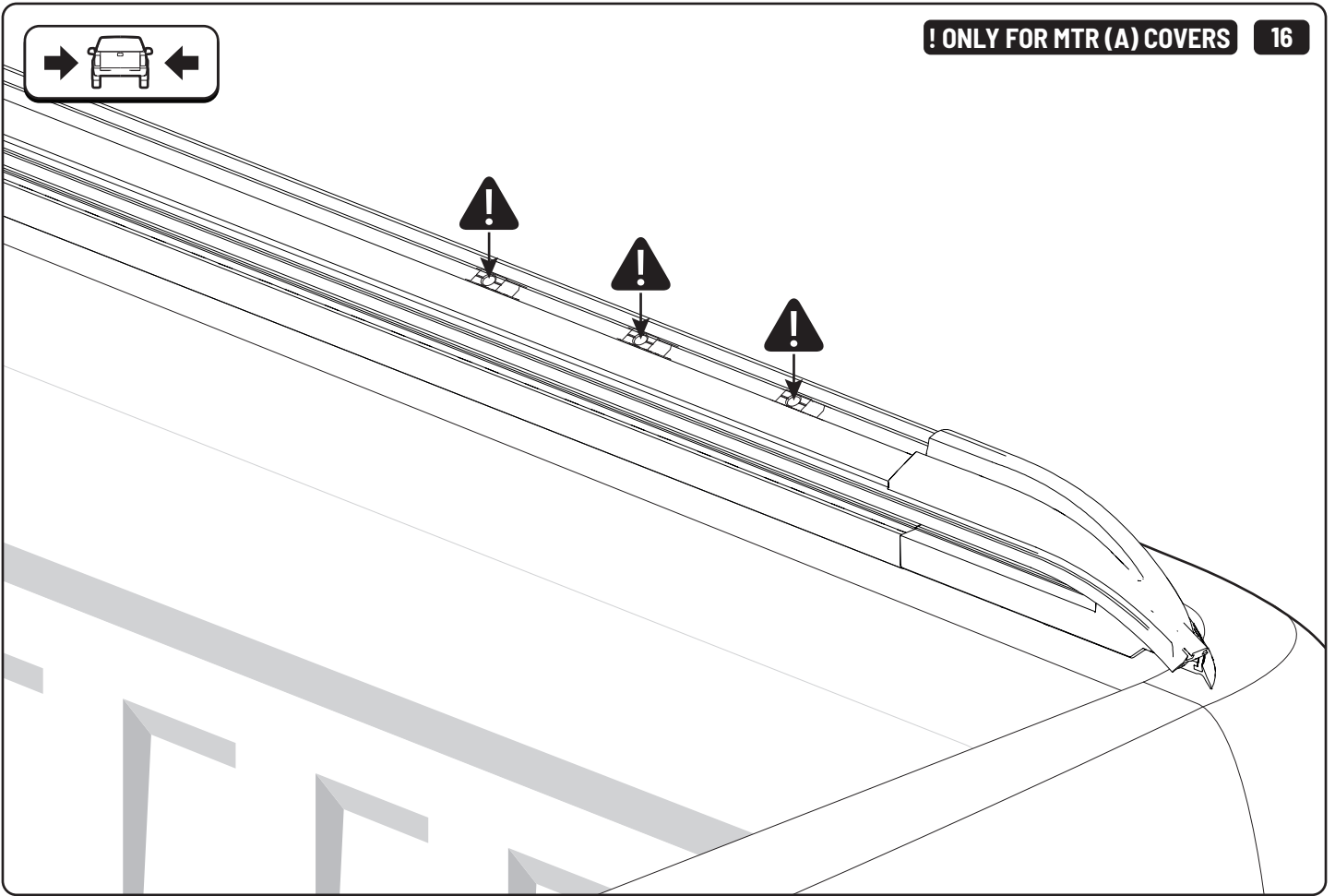


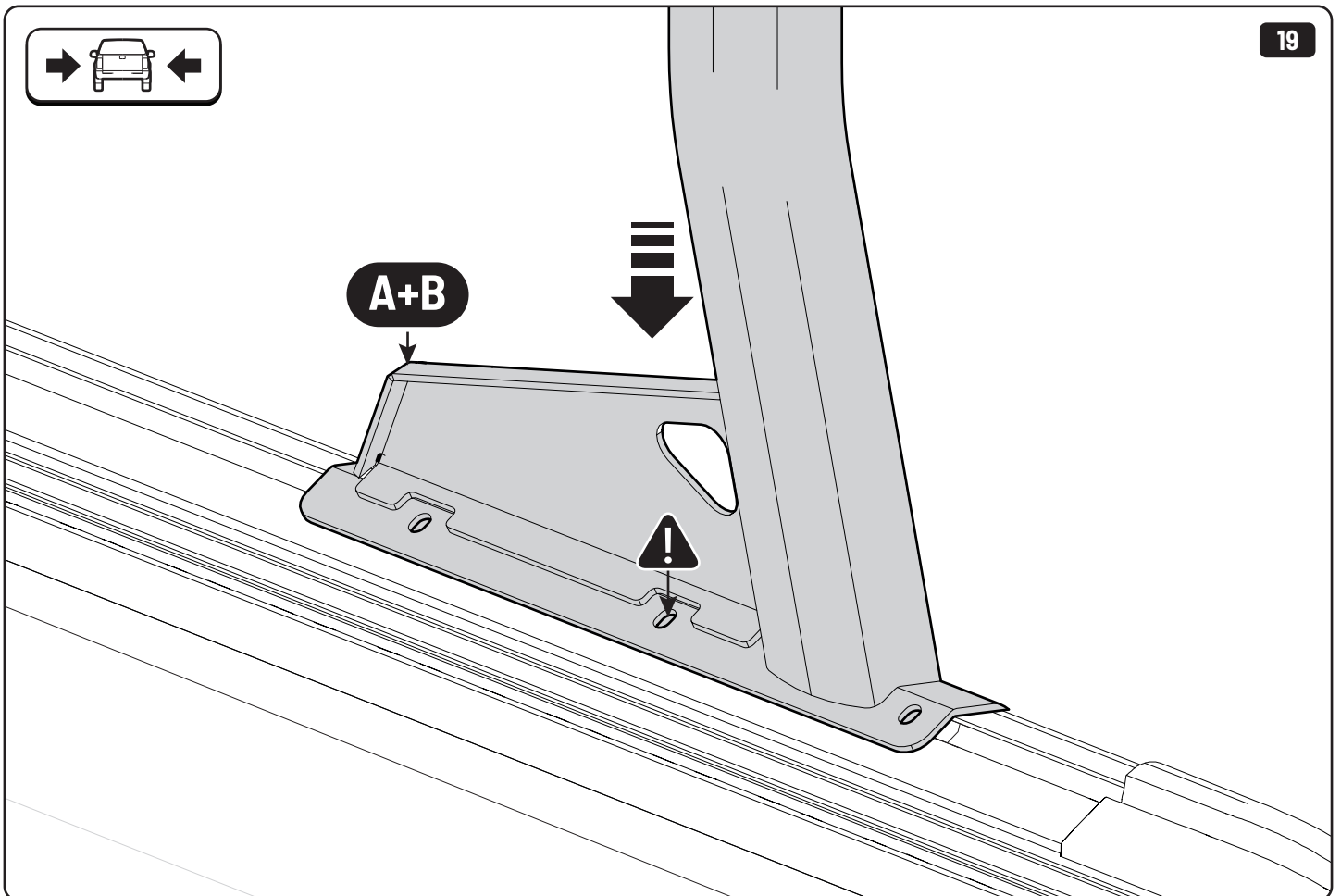
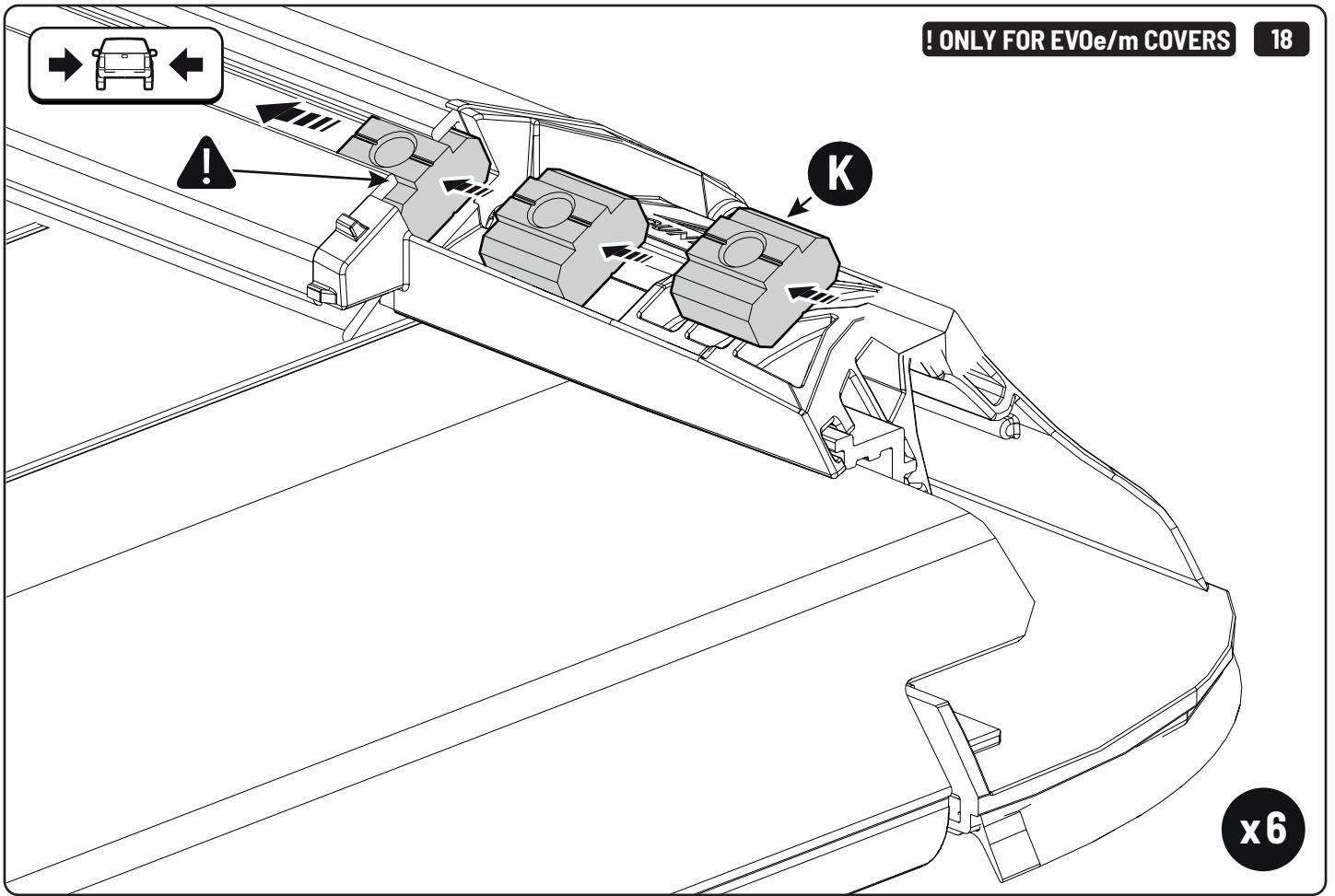


+ 6Nm



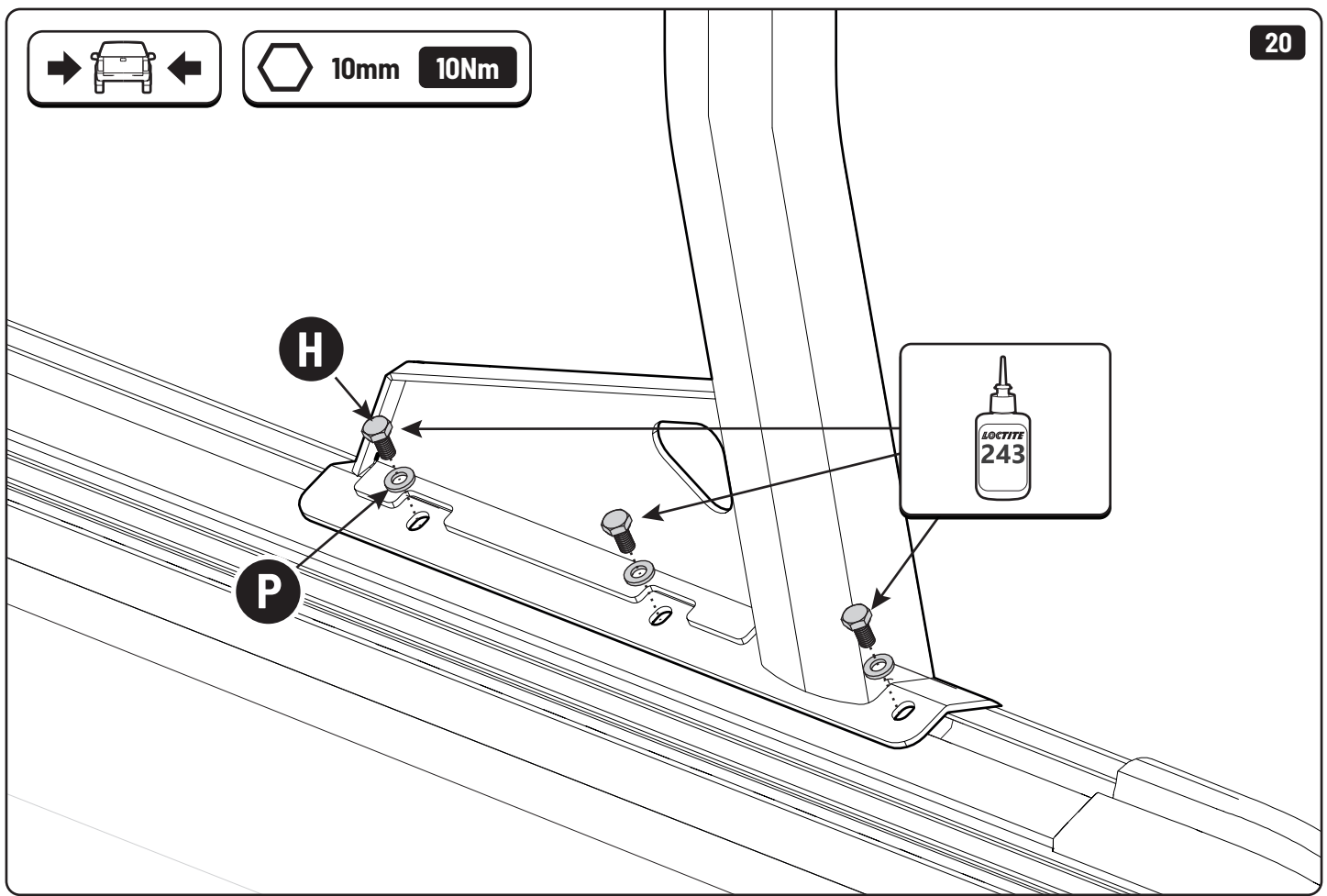





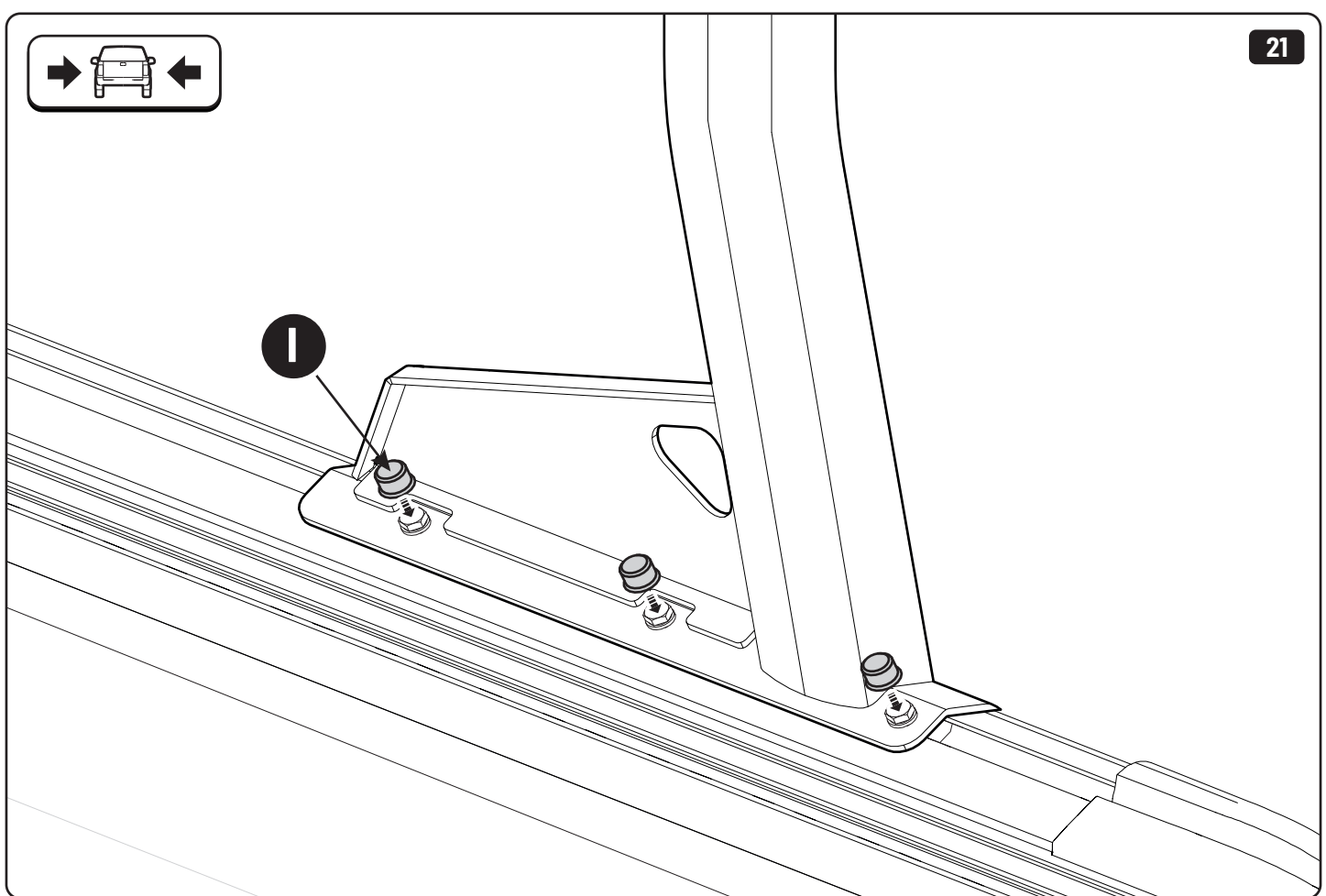


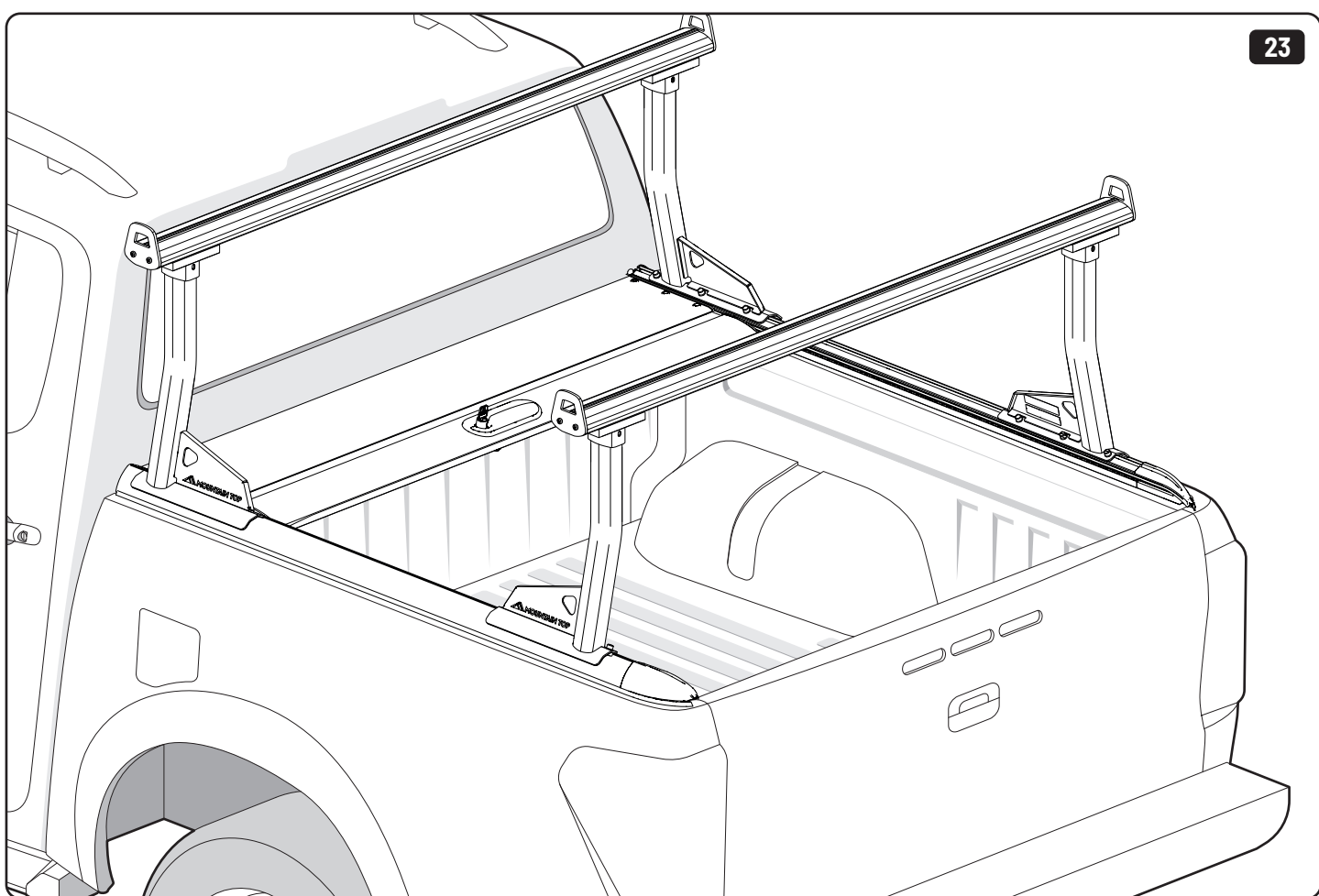
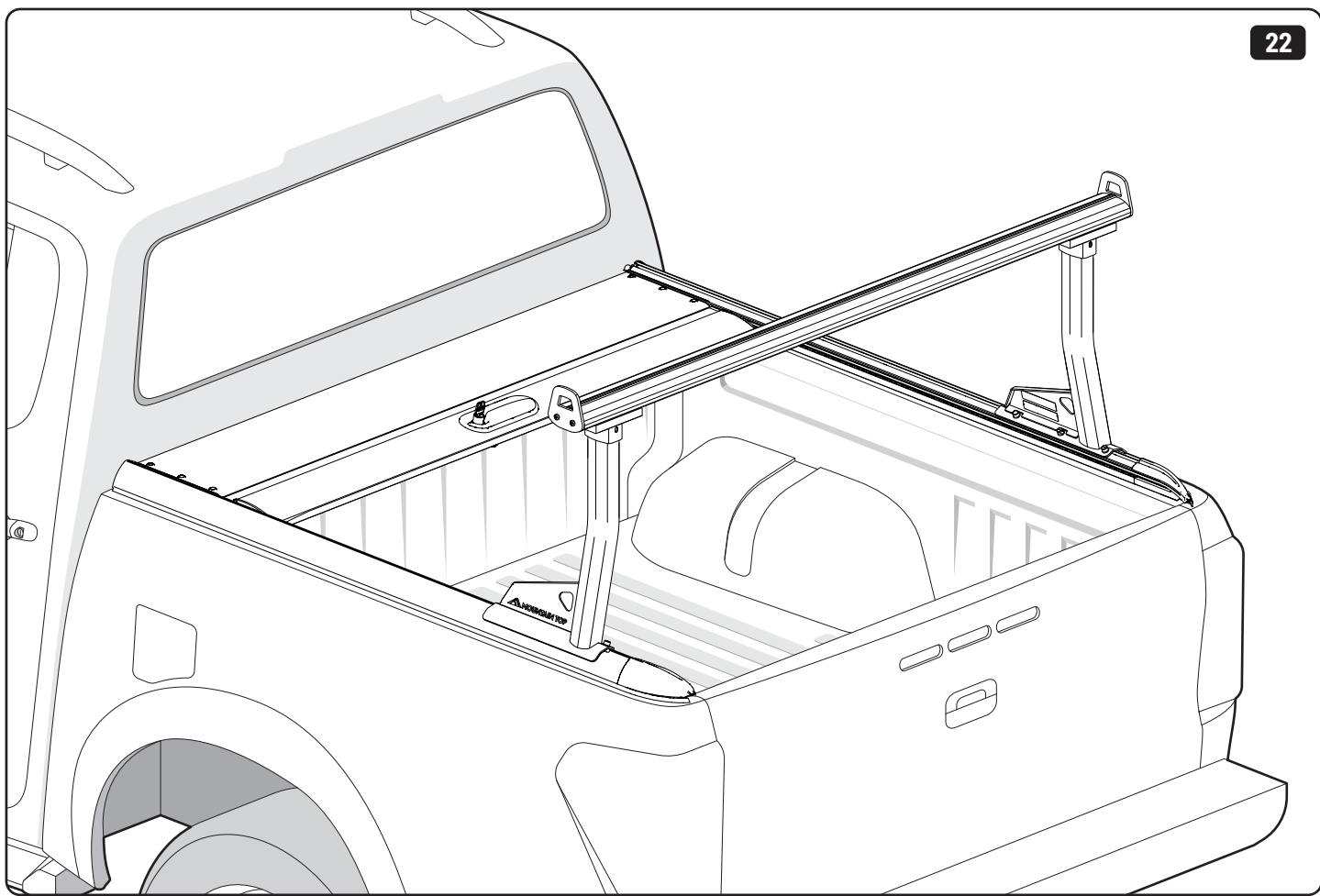
↔  ↔

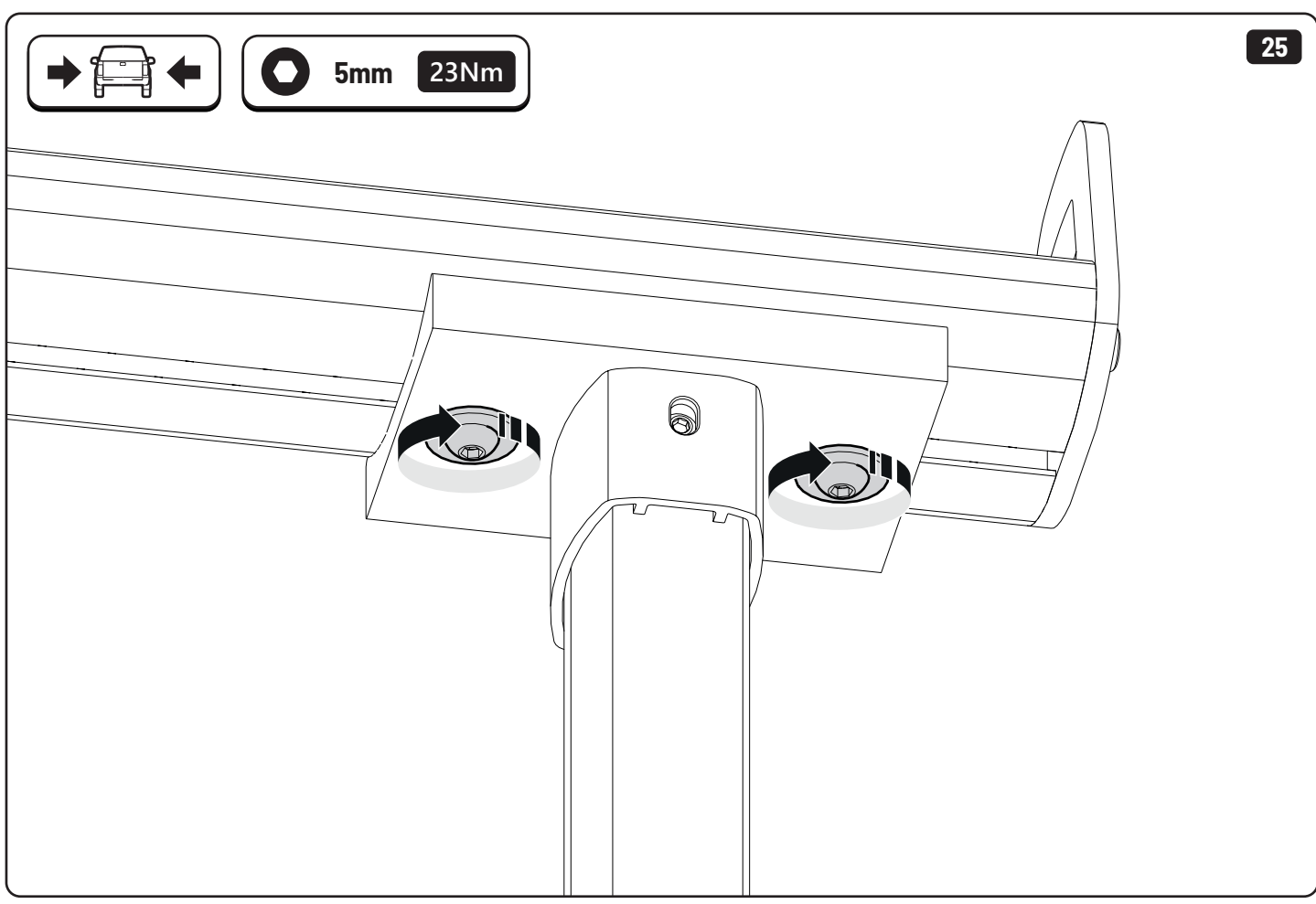
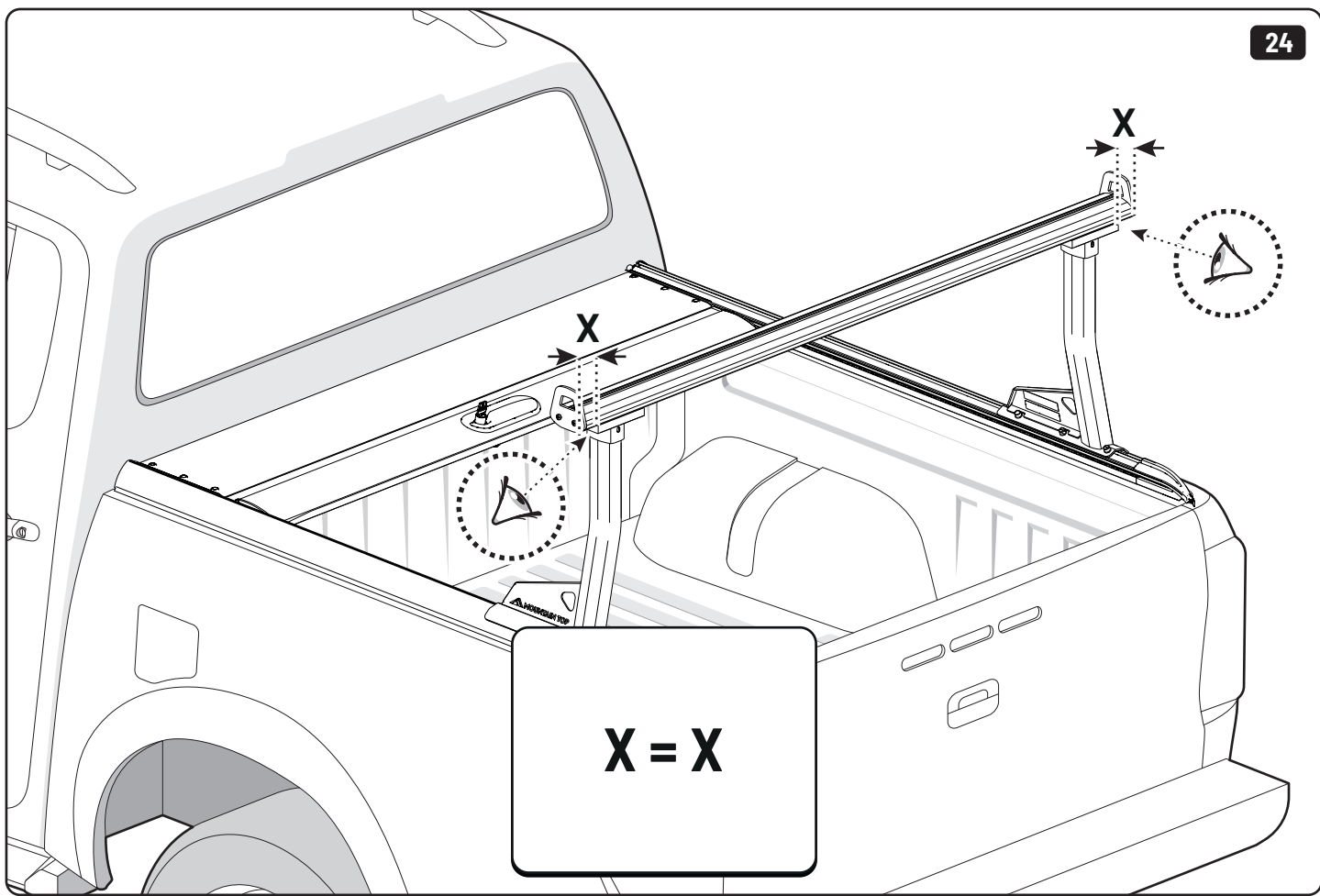
 10mm **10Nm**

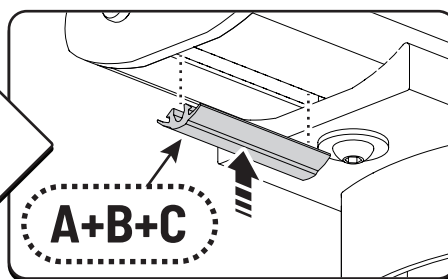
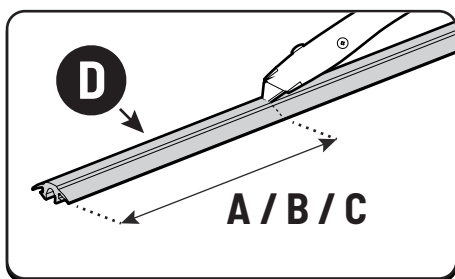
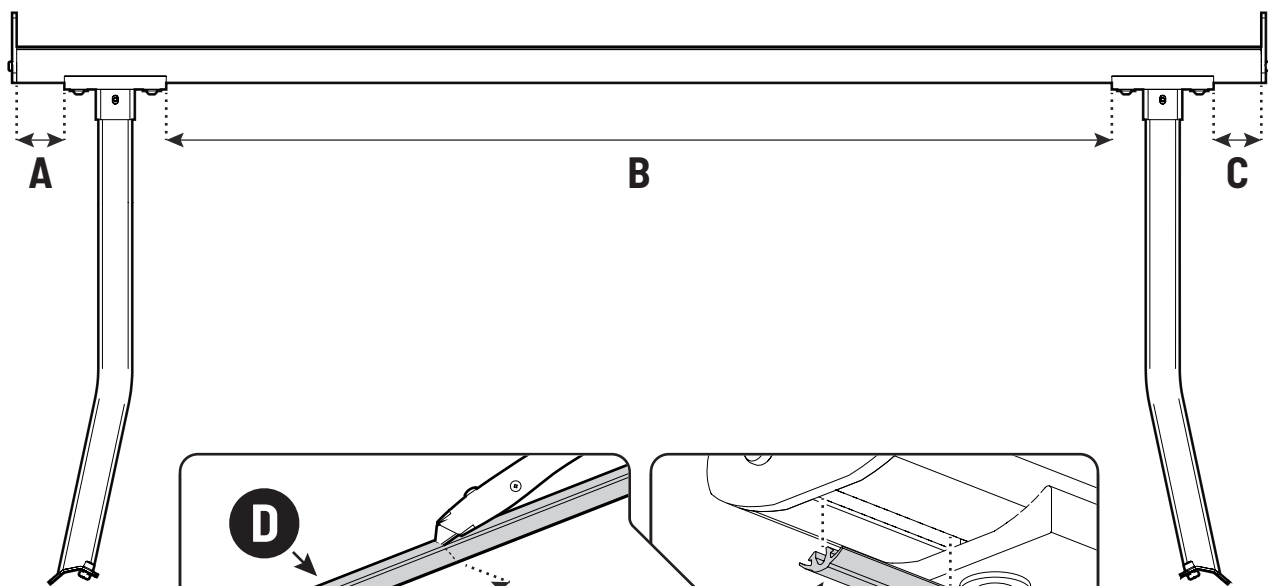
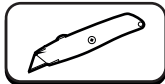


↔  ↔











Customer Service 03 9791 9303 (08:00 - 16:00 CET)
Support info@mountaintop.com.au
Website www.mountaintop.com.au
Address Dandenong South, Victoria 3175, Australia

Part number(s)	Installation time	Weight
LDR FLEX AB01	30 minutes	9.4 kg
LDR FLEX HB01	30 minutes	9.4 kg

GB Installation manual	S Monteringsanvisning	D Einbauanleitung
SF Asennusohje	E Instrucciones de montaje	CZ Návod k instalaci
F Notice de montage	H Szerelési utasítás	I Istruzioni di montaggio
PL Instrukcja montażu	P Instruções de instalação	GR Οδηγίες Εγκατάστασης
NL Installatie-instructies	RUS Инструкция по установке	DK Monteringsvejledning
TR Montaj Talimatı	N Monteringsveiledning	RO Instructiuni de instalare